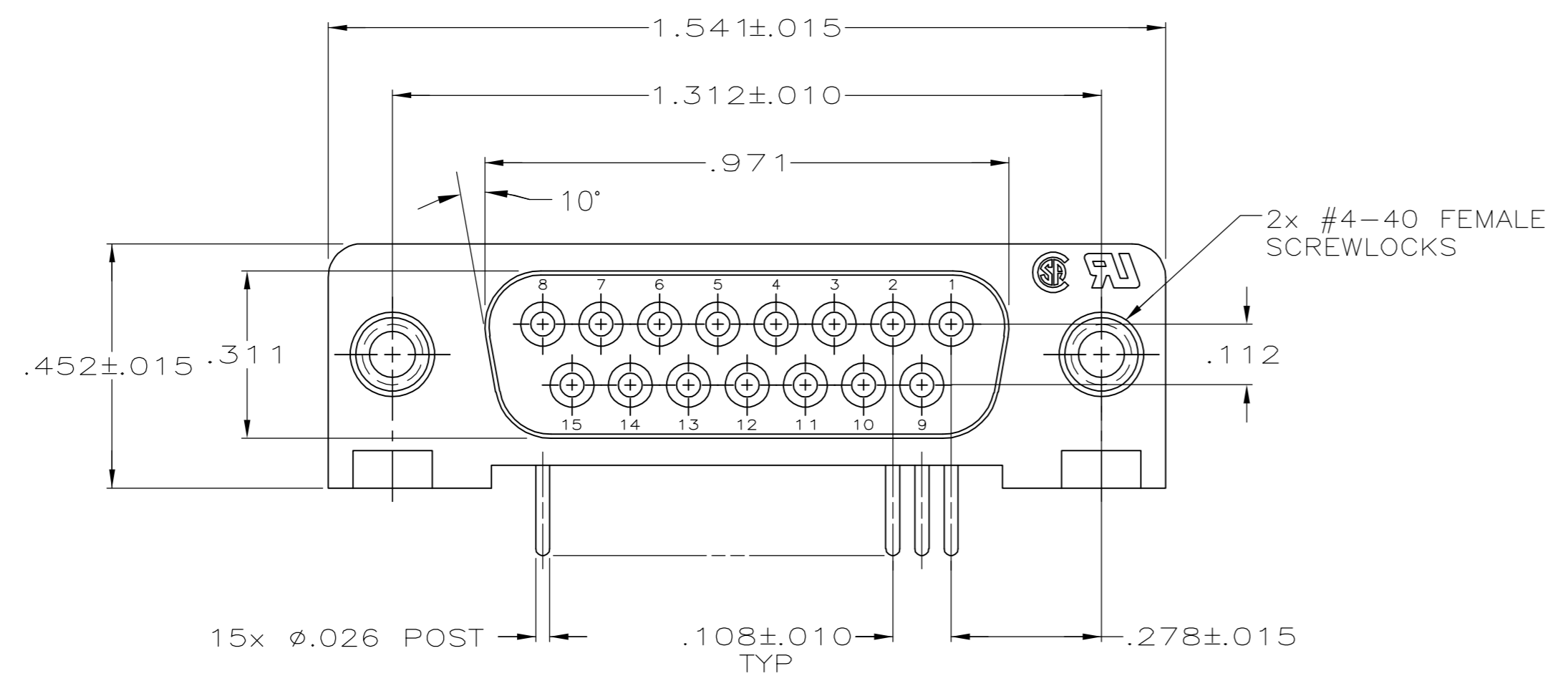
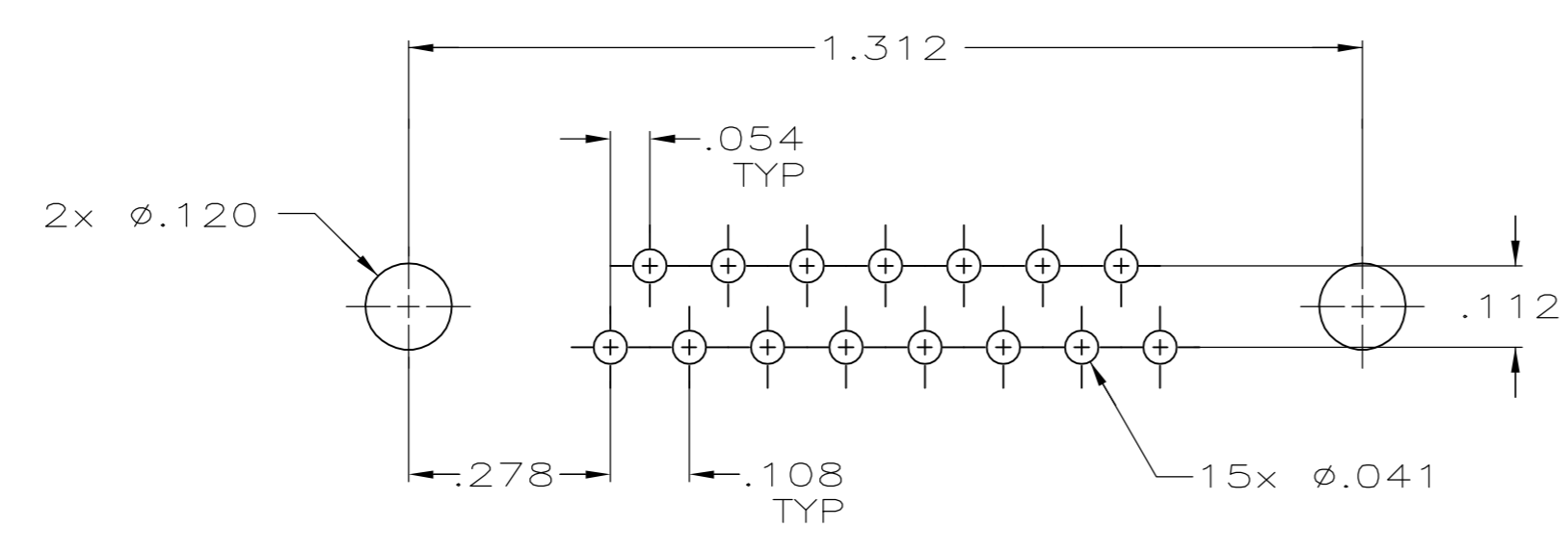
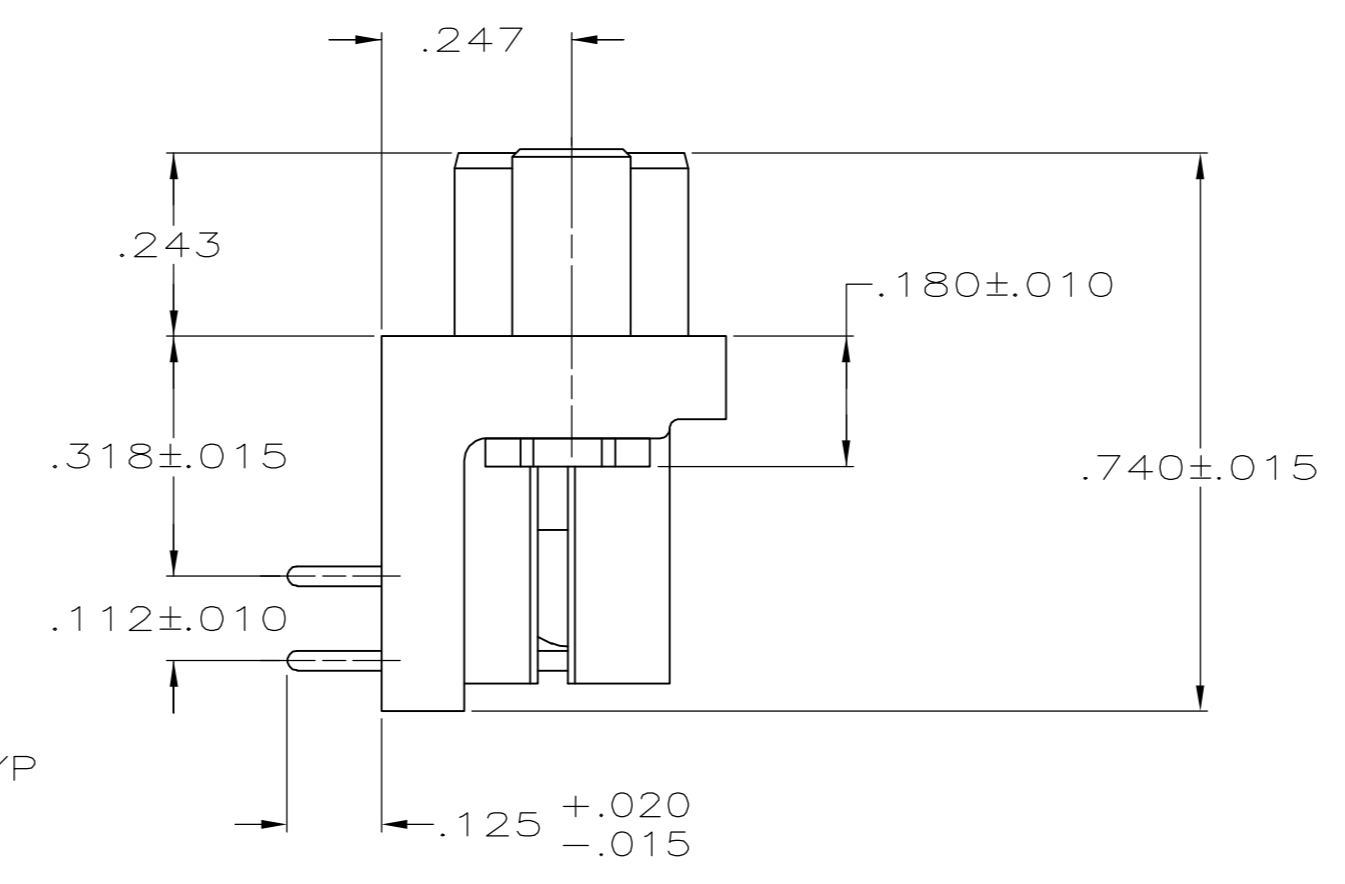
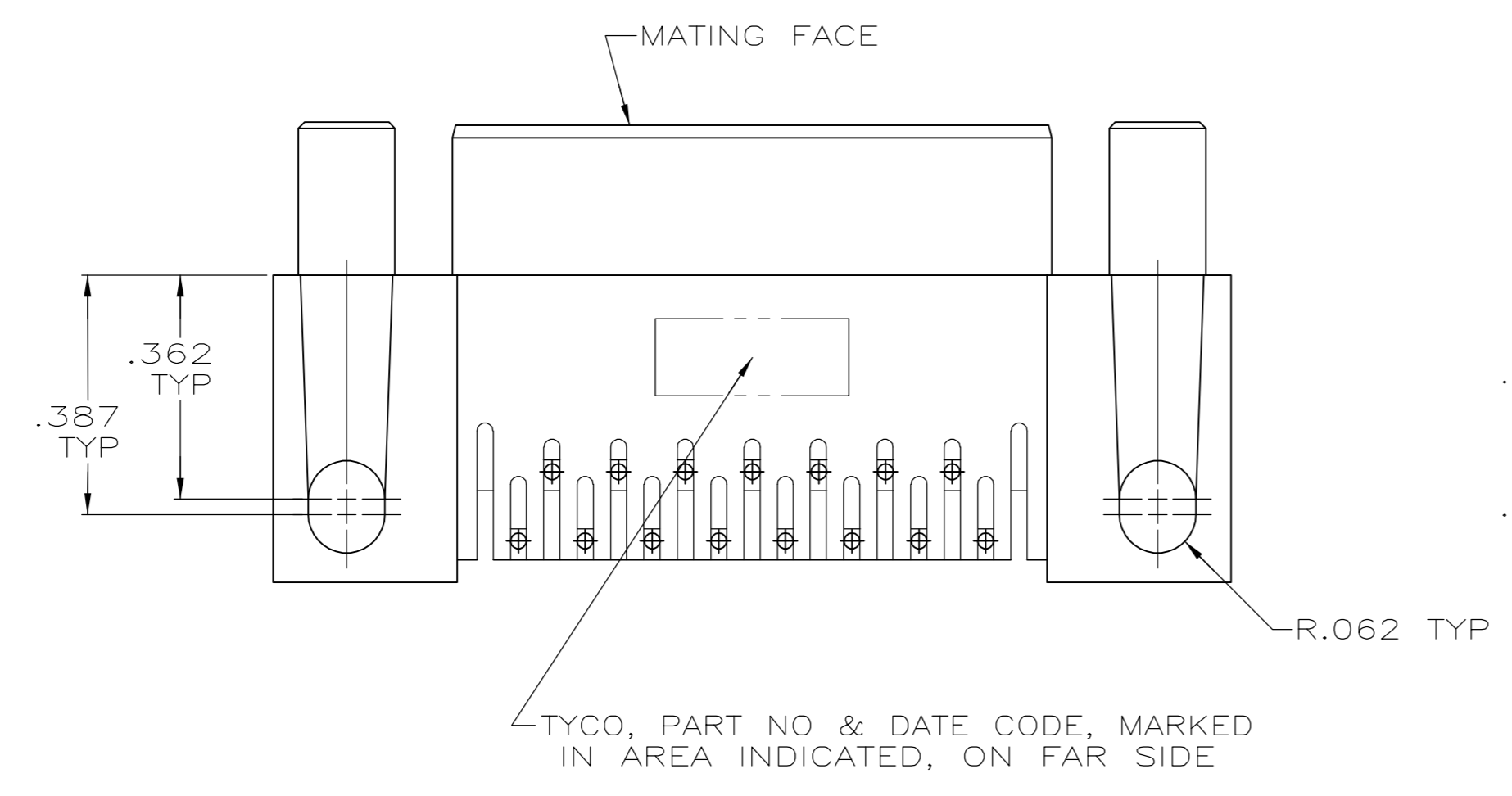


LOC		DIST		REVISIONS			
P	LTR	DESCRIPTION	DATE	DWN	APVD		
0		RELEASED PER EC 0513-0087-05	15SEP05	GP	JG		



- 1 HOUSING: FLAME RETARDANT, 94V-0 RATED, GLASS FILLED NYLON OR POLYESTER, COLOR: BLACK.
CONTACTS: PHOS BRONZE.
SCREWLOCKS: ZINC.
- 2 REFER TO APPLICATION SPEC FOR RECOMMENDED P.C. BOARD MOUNTING DIMENSIONS FOR AUTOMATIC INSERTION.
- 3 CONTACTS: PLATED WITH .000030 MIN GOLD FOR LENGTH OF .055 MIN FROM MATING END, .000100 MIN TIN ON SOLDER END, ALL OVER .000050 MIN NICKEL ON ENTIRE CONTACT.
SCREWLOCKS: CLEAR CHROMATE.



P.C. BOARD MOUNTING DIMENSIONS Δ

**COPYRIGHT 2005
 TYCO ELECTRONICS CORP
 ALL RIGHTS RESERVED**

5745396-2
 PART NUMBER

THIS DRAWING IS A CONTROLLED DOCUMENT.		DWN: G.PETERS	15SEP05	tyco Electronics	Tyco Electronics Corporation Harrisburg, PA 17105-3608	
DIMENSIONS: INCHES		CHK: S.BOLASH	15SEP05		NAME: M.WALMSLEY	
TOLERANCES UNLESS OTHERWISE SPECIFIED:		APVD: M.WALMSLEY		PRODUCT SPEC: 108-40025		
0 PLC	± -	APPLICATION SPEC: 114-40015		SIZE: A1		
1 PLC	± -	WEIGHT: -		CAGE CODE: 00779		
2 PLC	± -	MATERIAL: Δ		DRAWING NO: 5745396		
3 PLC	± .005	FINISH: Δ		RESTRICTED TO: -		
4 PLC	± -	CUSTOMER DRAWING		SCALE: 4:1		
ANGLES	± 2			SHEET 1 OF 1		
FINISH	± 2			REV 0		